

**NEC**



User's Manual / Manuel de l'utilisateur / Manual del Usuario

MultiSync® LCD175VX+™ / LCD195VX+™

MultiSync® LCD175VXM+™

*To learn about other special offers register online at [www.necdisplay.com](http://www.necdisplay.com).  
Pour en savoir plus long sur d'autres offres spéciales, inscrives-vous en ligne à [www.necdisplay.com](http://www.necdisplay.com).  
Para informarse sobre otras ofertas especiales, regístrate en línea en [www.necdisplay.com](http://www.necdisplay.com).*

# Contents

---

Your new NEC MultiSync LCD monitor box\* should contain the following:

- MultiSync LCD monitor
- Power Cord
- User's Manual
- Video Signal Cable
- Audio Cable (*LCD175VXM+ only*)
- Base Stand
- Cable Holder



MultiSync LCD Monitor



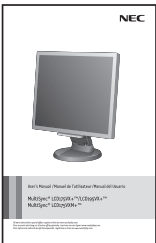
Power Cord



Video Signal Cable



Audio Cable  
(*LCD175VXM+ only*)



User's Manual



Cable Holder

\* Remember to save your original box and packing material to transport or ship the monitor.

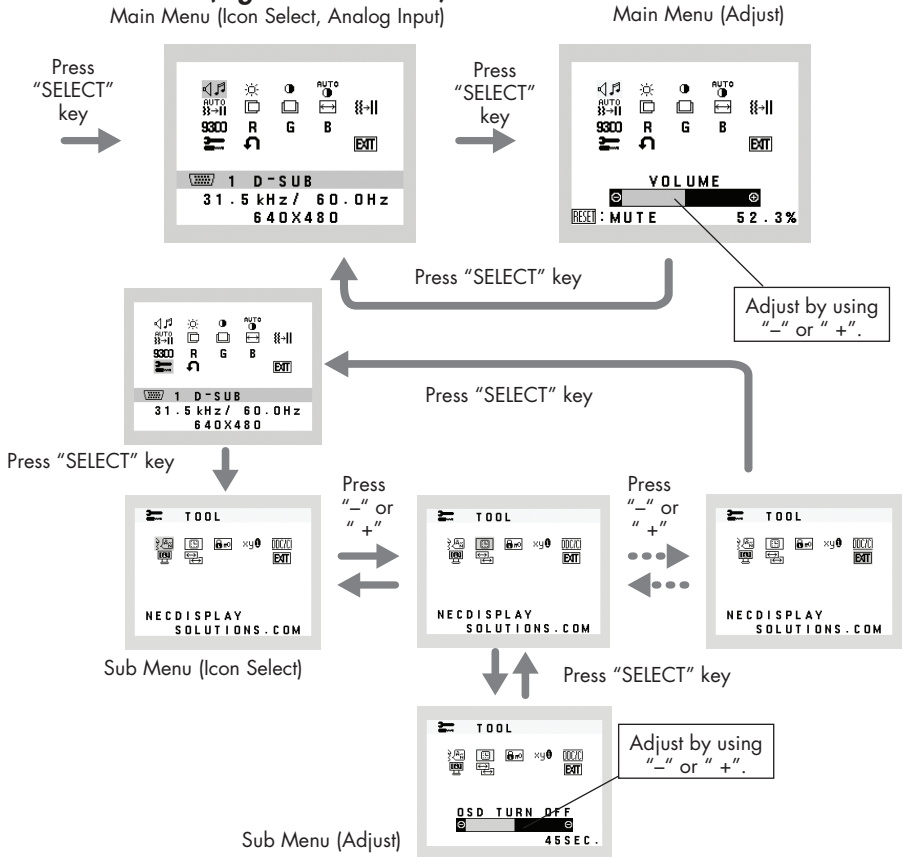
# Controls

## OSD (On-Screen Display) control buttons on the front of the monitor function as follows:

### 1. Basic key function

Button	SELECT	-	+	1<->2 / RESET
OSD Off	OSD displayed	Shortcut to bright adjust window	Shortcut to contrast adjust window	Select Input Signal
OSD On (Icon selection stage)	Go to Adjustment stage	Cursor moves left	Cursor moves right	/
OSD On (Adjustment stage)	Go to Icon selection stage	Decrease Value or Move highlighted selection to the left.	Increase value or Move highlighted selection to the right.	

### 2. OSD structure (e.g. LCD175VXM+)





### **AUDIO** (LCD175VXM+ Only)

Controls the volume of the speakers or headphones.  
To mute the speaker output, press the "1 <-> 2 / RESET" button.



### **BRIGHTNESS**

Adjusts the overall image and background screen brightness.



### **CONTRAST**

Adjusts the image brightness in relation to the background.



### **AUTO CONTRAST** (Analog Input Only)

Adjusts the image displayed for non-standard video inputs.



### **AUTO ADJUST** (Analog Input Only)

Automatically adjusts the Image Position, H. Size and Fine setting.



### **LEFT/RIGHT** (Analog Input Only)

Controls Horizontal Image Position within the display area of the LCD.



### **DOWN/UP** (Analog Input Only)

Controls Vertical Image Position within the display area of the LCD.



### **H. SIZE** (Analog Input Only)

Adjusts the horizontal size by increasing or decreasing this setting.



### **FINE** (Analog Input Only)

Improves focus, clarity and image stability by increasing or decreasing this setting.



## **COLOR CONTROL SYSTEMS**

Five color presets (9300/7500/sRGB/USER/NATIVE) select the desired color setting.

The sRGB and NATIVE, color presets are standard and cannot be changed.



### **COLOR RED**

Increase or decreases Red. The change will appear on screen.



### **COLOR GREEN**

Increase or decreases Green. The change will appear on screen.



### **COLOR BLUE**

Increase or decreases Blue. The change will appear on screen.



### **TOOL**

Selecting TOOL allows you to get into the sub menu.



### **FACTORY PRESET**

Selecting Factory Preset allows you to reset all OSD control settings back to the factory settings. The "1 <-> 2 / RESET" button will need to be held down for several seconds to have effect. Individual settings can be reset by highlighting the control to be reset and pressing the "1 <-> 2 / RESET" button.

# Controls - *continued*

---



## EXIT

Selecting EXIT allows you exit OSD menu/sub menu.



## LANGUAGE

OSD control menus are available in seven languages.



## OSD TURN OFF

The OSD control menu will stay on as long as it is in use. In the OSD Turn OFF submenu, you can select how long the monitor waits after the last touch of a button to shut off the OSD control menu. The preset choices are 10 - 120 seconds in 5 second intervals.



## OSD LOCK OUT

This control completely locks out access to all OSD control functions without Brightness and Contrast. When attempting to activate OSD controls while in the Lock Out mode, a screen will appear indicating the OSD are locked out. To activate the OSD Lock Out function, press "1<->2 / RESET", then "+" key and hold down simultaneously. To de-activate the OSD Lock Out, press "1<->2 / RESET", then "+" key and hold down simultaneously.



## RESOLUTION NOTIFIER

If ON is selected, a message will appear on the screen after 30 seconds, notifying you that the resolution is not at optimal resolution.



## DDC/CI

Turns on or off the way communication and control of the monitor.



## MONITOR INFO

Indicates the model and serial numbers of your monitor.

**OSD Warning:** OSD Warning menus disappear with SELECT button.

**NO SIGNAL:** This function gives a warning when there is no signal present. After power is turned on or when there is a change of input signal or video is inactive, the **No Signal** window will appear.

**RESOLUTION NOTIFIER:** This function gives a warning of use with optimized resolution. After power is turned on or when there is a change of input signal or the video signal doesn't have proper resolution, the **Resolution Notifier** window will open. This function can be disabled in the TOOL menu.

**OUT OF RANGE:** This function gives a recommendation of the optimized resolution and refresh rate. After the power is turned on or there is a change of input signal or the video signal doesn't have proper timing, the **Out Of Range** menu will appear.

# Specifications

Monitor Specifications		MultiSync® LCD175VXM+	Notes
LCD Module	Diagonal : Viewable Image Size : Native Resolution (Pixel Count) :	17.0 inch 17.0 inch 1280 x 1024	Active matrix; thin film transistor (TFT) liquid crystal display (LCD); 0.264 mm dot pitch; 270cd/m <sup>2</sup> white luminance; 700:1 contrast ratio, typical
Input Signal	Video : Sync :	ANALOG 0.7 Vp-p/75 Ohms Separate sync. TTL Level (Positive/Negative) Horizontal sync. Positive/Negative Vertical sync. Positive/Negative	Digital Input: DVI
Display Colors		16,7M	Depending on display card used.
Maximum Viewing Angles	Left/Right : Up/Down :	80°/80° (CR>10) 75°/85° (CR>10)	
Synchronization Range	Horizontal : Vertical :	31.5 kHz to 81.1 kHz 56.0 Hz to 76.0 Hz	Automatically Automatically
Resolutions Supported		720 x 400*1-VGA text 640 x 480*1 @ 60 Hz to 75 Hz 800 x 600*1 @ 56 Hz to 75 Hz 832 x 624*1 @ 75 Hz 1024 x 768*1 @ 60 Hz to 75 Hz 1152 x 864*1 @ 70 Hz to 75 Hz 1152 x 870*1 @ 75 Hz 1280 x 960*1 @ 60 Hz to 75 Hz 1280 x 1024 at 60 Hz to 75 Hz.....	Some systems may not support all modes listed.  NEC DISPLAY SOLUTIONS cites recommended resolution at 60 Hz for optimal display performance.
Active Display Area	Horizontal : Vertical :	338.0 mm/13.3 inches 270.3 mm/10.6 inches	
Power Supply		100 – 240 V~ 50/60 Hz	
Speaker Practical Audio Output		1+1 watts	
Current Rating		0.6 - 0.4 A/100-240V	
Dimensions		368.0 mm (W) x 379.0 mm (H) x 205.0 mm (D) 14.5 inches (W) x 14.9 inches (H) x 8.1 inches (D)	
Weight		4.8 kg 10.6 lbs	
Environmental Considerations	Operating Temperature : Humidity : Altitude : Storage Temperature : Humidity : Altitude :	5°C to 35°C/41°F to 95°F 10% to 80% 0 to 10,000 Feet -10°C to 60°C/14°F to 140°F 10% to 85% 0 to 40,000 Feet	

\*1 Interpolated Resolutions: When resolutions are shown that are lower than the pixel count of the LCD module, text may appear different. This is normal and necessary for all current flat panel technologies when displaying non-native resolutions full screen. In flat panel technologies, each dot on the screen is actually one pixel, so to expand resolutions to full screen, an interpolation of the resolution must be done.

NOTE: Technical specifications are subject to change without notice.